



eSIGNO 2.0

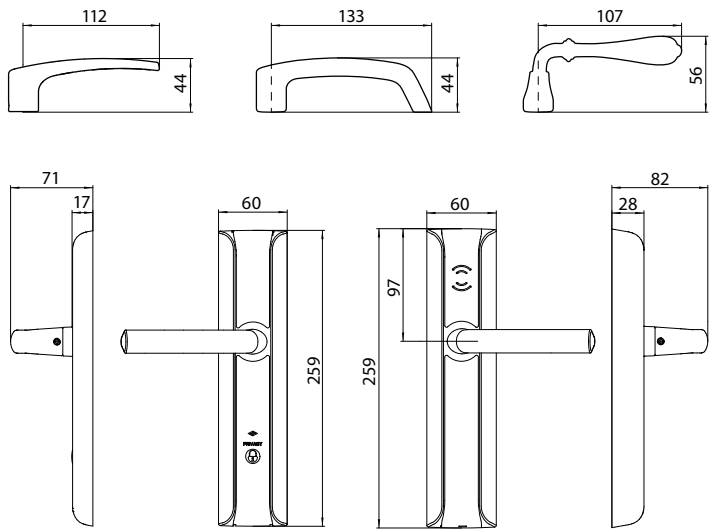
Contactless lock

**Manual deadbolt
version**

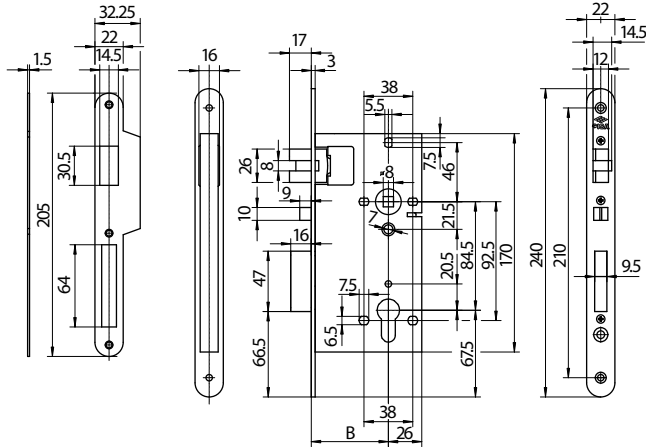
Technical sheet



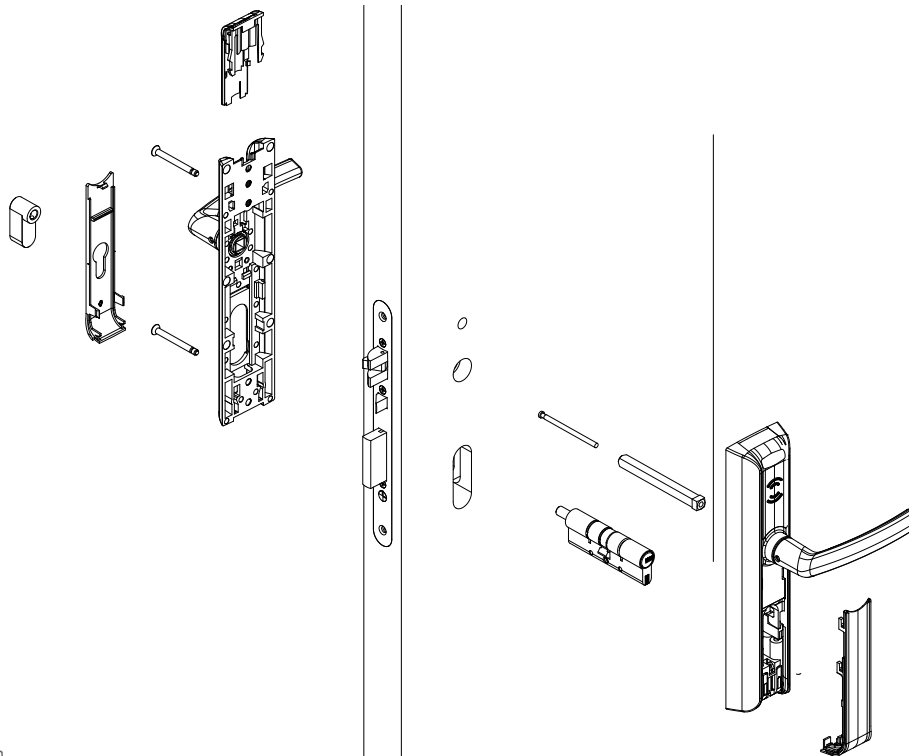
Handle plate



15A300, 15A310 lock series, Striker



Installation

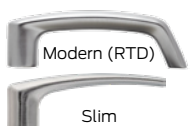


Technical features

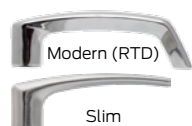
Intended use	Standalone battery powered contactless electronic access control for installation on doors in buildings.
Form factor	Reader and battery holder integrated into the external plate. Only 2 screws needed for installation.
Retrofit	Footprint designed to simplify retrofit installation. Retrofit underplate also available (386 x 72 mm).
Credentials	Contactless RFID ISO 14443B/Mifare ISO 14443A technology. Lock wake-up function activated by card from max 2 cm. Bluetooth technology to open door using Android and iOS smartphones.
Operating temperature	From -10°C to 70°C (with specific batteries).
Data encryption	3DES-AES encryption. PKI system for mobile credentials.
Audit trail	Previous 500 events.
Privacy	Mechanical privacy function activated by thumb turn.
Wireless	Bluetooth 5 technology.
Emergency override	By mechanical cylinder concealed under front plastic cover.
Flashing signals	Multicolour LED on external plate for battery level, privacy status and service messages.
Battery	3 x 1.5V AAA alkaline.
Battery life	Up to 6 years.* * Depending on actual conditions of use. Tested in compliance with BHMA A156.33
External plate	L 259 x H 28 x W 60 mm.
Internal plate	L 259 x H 17 x W 60 mm.
Weight	Packed: 2 kg including external and internal plates, handles and batteries.
Materials	External/internal plates in Zamak 3 (ZP3 in compliance with UN EN I2844). Finish on outdoor versions resistant to 24 hours in salt spray.
Plastic	PA6 / PA12, plate cover available in black or white.
Finishes	Satin silver / Polished silver / Satin bronze / Polished gold / Matt Black.
Handles	Slim / Modern Return to door / Elegance. Reversible.
Handle angle of rotation	30° max.
Spindle size	8 mm.
Centre distance	Compatible with 70 (Bricard 900 series), 72 (Briton 5500 series) and 85 mm (CISA 15A300, 15A310, 152830XX series).
Mechanical emergency cylinder	Euro profile cylinder for thumb turn concealed under front plastic cover. Accessible using tool supplied with the Service Kit.
Standard mechanical lock	Manual deadbolt mortice lock CISA 15A300, 15A310 series with antipanic function; Bricard 900 series, Briton 5400, 5500 series.
Door thickness	35-70 mm.
Application	Indoor.
Life cycle	200,000 cycles.
Norms and regulations	Compatible with products in compliance with EN1634-1 (for fire resistant doors up to 60 minutes), EN179, EN12209.
Management system	Via encoder or the web with CISA Aero. Firmware can be updated remotely using Bluetooth Gateway.

Configuration options: 5 finishes, 3 handle types and 2 cover colours

Satin silver



Polished silver



Satin bronze



Polished gold



Matt black



Black plate



White plate




About Allegion


Allegion (NYSE: ALLE) is a global pioneer in seamless access, with leading brands like CISA®, Interflex®, LCN®, Schlage®, SimonsVoss® and Von Duprin®. Focusing on security around the door and adjacent areas, Allegion secures people and assets with a range of solutions for homes, businesses, schools and institutions.

For more, visit allegion.com.



 CISA SpA
Via Oberdan 42
48018 Faenza (RA) Italy

 Ph. +39 0546 677111
Fax +39 0546 677150

 Customer Service and Technical Support
+39 0546 188 0070

    cisa.com
cisa.sales@allegion.com