



# CISA eSIGNO Contactless lock

**Manual deadbolt version**

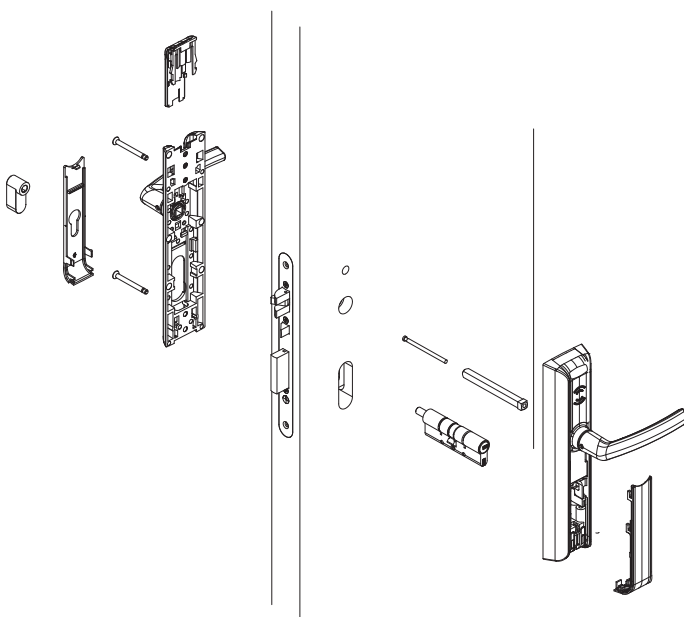
Technical sheet



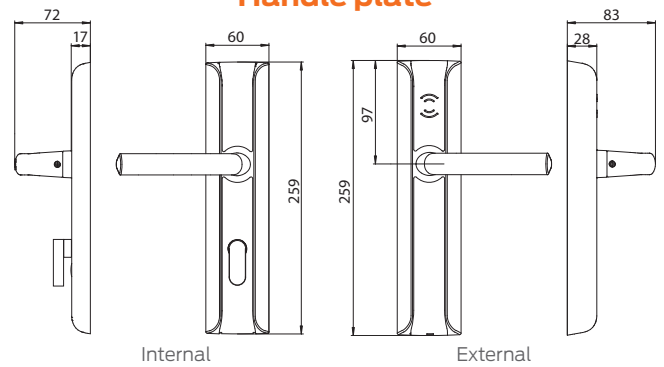
## Configuration options: 4 finishes, 3 handle types and 2 cover colours



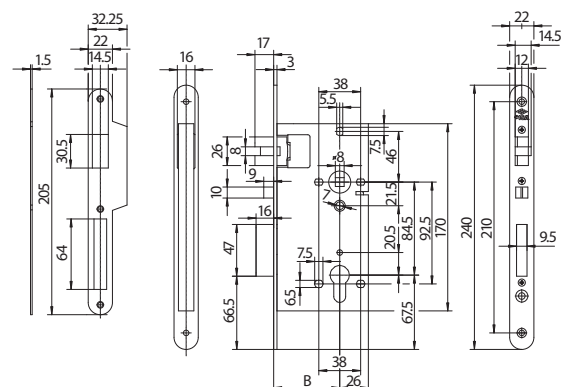
## Installation



## Handle plate



## 15A300, 15A310 lock series Strike plate



Technical drawings  
all measurements are in mm.

## Technical features

Intended use	Standalone battery powered contactless electronic access control for door installation.
Form factor	Reader and battery holder integrated into the external plate. Only 2 screws needed for installation.
Retrofit	Footprint designed to simplify retrofit installation. Retrofit underplate also available (386 x 72 mm).
Credentials	Contactless RFD ISO 14443B/Mifare ISO 14443A, NFC ready. Lock wake-up function activated by card from max 2 cm. Bluetooth technology to open door using Android and iOS smartphones.
Operating temperature	From -10°C to 70°C (with specific batteries).
Data encryption	3DES-AES encryption. PKI system for mobile credentials.
Audit trail	Previous 500 events.
Privacy	Mechanical privacy function activated by thumb turn.
Wireless	System also available in wireless version (2.4 GHz Zigbee technology). Locks can communicate with the centralised control system through a wireless network. Easy to delete and manage cards.
Emergency override	By mechanical cylinder concealed under front plastic cover.
Flashing signals	Multicolour LED on external plate for battery level, privacy status and service messages.
Battery	3 x 1.5V AAA alkaline.
Durability	30,000 cycles approx. for standalone version (depending on operating conditions).
External plate	L 259 x H 28 x W 60 mm.
Internal plate	L 259 x H 18 x W 60 mm.
Weight	Packed: 2 kg including external and internal plates, handles and batteries.
Materials	External/internal plates in Zamak 3 (ZP3 in compliance with UN EN I2844). Finish on outdoor versions resistant to 24 hours in salt spray.
Plastic	PA6 / PA12, plate cover available in black or white.
Finishes	Satin silver / Polished silver / Satin bronze / Polished gold.
Handles	Classic / Modern Return to door / Elegance. Reversible.
Spindle size	8 mm.
Centre distance	Compatible with 70 (Bricard 900 series), 72 (Briton 5500 series) and 85 mm (CISA 15A300, 15A310, 152830XX series).
Mechanical emergency cylinder	Euro profile cylinder for thumb turn concealed under front plastic cover. Accessible using tool supplied with the Service Kit.
Standard mechanical lock	Manual deadbolt mortice lock CISA 15A300, 15A310 series with antipanic function; Bricard 900 series, Briton 5400, 5500 series.
Door thickness	35 - 70 mm.
Application	Indoor. Optional IP55 version for outdoors.
Life cycle	200,000 cycles.
Installation	Compatible with electric screwdrivers i.e. high torque.
Norms and regulations	Compatible with products in compliance with EN1634-1 (for fire resistant doors up to 60 minutes), EN179, EN12209. QCD approved.
Management system	On-premise encoder (communication with locks through NFC mouse or service cards). CISA Aero cloud system with USB encoder (communication with locks through service cards).


### About Allegion™


Allegion (NYSE: ALLE) is a global pioneer in safety and security, with leading brands like CISA®, Interflex®, LCN®, Schlage®, SimonsVoss® and Von Duprin®. Focusing on security around the door and adjacent areas, Allegion produces a range of solutions for homes, businesses, schools and other institutions. Allegion is a \$2.4 billion company, with products sold in almost 130 countries.


For more, visit [allegion.com](http://allegion.com).

AXA ■  BRICARD ■ Briton ■  CISA ■  interflex ■ KRYPTONITE ■ NORMBAU ■  SimonsVoss technologies ■  TRELOCK

 CISA SpA  
Via Oberdan 42  
48018 Faenza (RA) Italy

 Customer Service and Technical Support  
+39 0546 188 0070

 Ph. +39 0546 677111  
Fax +39 0546 677150

   [cisa.com](http://cisa.com)  
[cisa.sales@allegion.com](mailto:cisa.sales@allegion.com)

  
**ALLEGION™**