



CISA eSIGNO Contactless lock

Junior (latch only) version

Technical sheet



Configuration options: 4 finishes, 3 handle types and 2 cover colours



Satin silver
Black plate



Polished silver
Black plate



Satin bronze
Black plate



Polished gold
Black plate



Classic handle



Modern handle (RTD)
EN 179 certified



Elegance handle

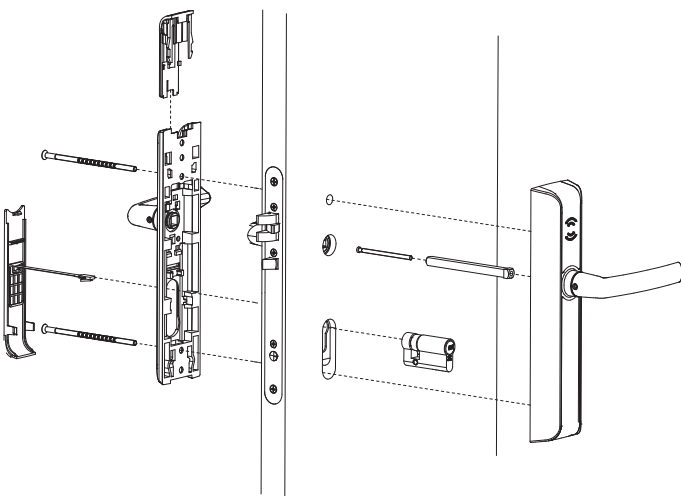


Black plate

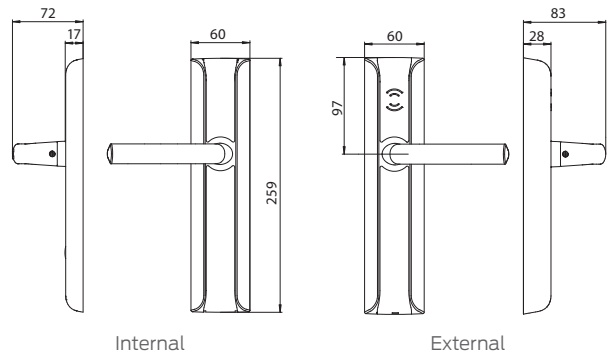


White plate

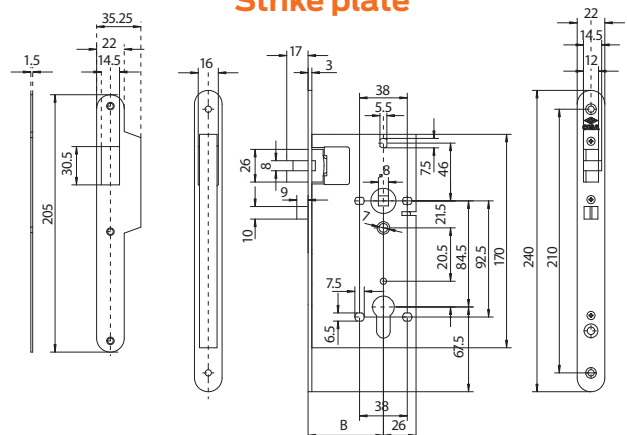
Installation



Handle plate



5A755, 5A756 lock series Strike plate



Technical drawings
all measurements are in mm.

Technical features


| | |
|-------------------------------|---|
| Intended use | Standalone battery powered contactless electronic access control for door installation in buildings. |
| Form factor | Reader and battery holder integrated into the external plate. Only 2 screws needed for installation. |
| Retrofit | Footprint designed to simplify retrofit installation. Retrofit underplate also available (386 x 72 mm). |
| Credentials | Contactless RFD ISO 14443B/Mifare ISO 14443A, NFC ready. Lock wake-up function activated by card from max 2 cm. Optional Bluetooth technology to open door using Android and iOS smartphones. |
| Operating temperature | From -10°C to 70°C (with specific batteries). |
| Data encryption | 3DES-AES encryption. PKI system for mobile credentials. |
| Audit trail | Previous 500 events. |
| Privacy | Digital privacy function activated by a push button located on the internal plate. Available for mortice locks, 5A755, 5A756 series. |
| Wireless | System also available in wireless version (2.4 GHz Zigbee technology). Locks can communicate with the centralised control system through a wireless network. Easy to delete and manage cards. |
| Emergency override | By mechanical cylinder concealed under front plastic cover. |
| Flashing signals | Multicolour LED on external plate for battery level, privacy status and service messages. Internal LED for privacy status. |
| Battery | 3 x 1.5V AAA alkaline. |
| Durability | 30,000 cycles approx. for standalone version (depending on operating conditions). |
| External plate | L 259 x H 28 x W 60 mm. |
| Internal plate | L 259 x H 18 x W 60 mm. |
| Weight | Packed: 2 kg including external and internal plates, handles and batteries. |
| Materials | External/internal plates in Zamak 3 (ZP3 in compliance with UN EN I2844). Finish on outdoor versions resistant to 24 hours in salt spray. |
| Plastic | PA6 / PA12. Plastic available in black or white. |
| Finishes | Satin silver / Polished silver / Satin bronze / Polished gold. |
| Handles | Classic / Modern Return to door / Elegance. Reversible. |
| Spindle size | 8 mm. |
| Mechanical emergency cylinder | Euro Profile single cylinder concealed under front plastic cover. Accessible using tool supplied with the Service Kit. |
| Standard mechanical lock | Latch only, mortice lock CISA 5A755/5A756 series; Bricard 951831 series; Briton 5400, 5500 series with 8 mm spindle and latch only. |
| Door thickness | 35 - 79 mm. |
| Application | Indoor. Optional IP55 version for outdoors. |
| Life cycle | 200,000 cycles. |
| Installation | Compatible with electric screwdrivers i.e. high torque. |
| Norms and regulations | Compatible with products in compliance with EN1634-1 (for fire resistant doors up to 60 minutes), EN179, EN12209, UL (European standards). QCD approved. |
| Management system | On-premise encoder (communication with locks through NFC mouse or service cards). CISA Aero cloud system with USB encoder (communication with locks through service cards). |


About Allegion


Allegion (NYSE: ALLE) is a global pioneer in seamless access, with leading brands like CISA®, Interflex®, LCN®, Schlage®, SimonsVoss® and Von Duprin®. Focusing on security around the door and adjacent areas, Allegion secures people and assets with a range of solutions for homes, businesses, schools and institutions. Allegion had \$2.9 billion in revenue in 2019 and sells products in almost 130 countries.

For more, visit allegion.com.

AXA ■  BRICARD ■ Briton ■  CISA ■  interflex ■ KRYPTONITE ■ NORMBAU ■  SimonsVoss technologies ■  TRELOCK

 CISA SpA
Via Oberdan 42
48018 Faenza (RA) Italy

 Customer Service and Technical Support
+39 0546 188 0070

 Ph. +39 0546 677111
Fax +39 0546 677150

   cisa.com
cisa.sales@allegion.com


ALLEGION™